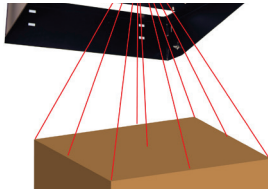


CSN810 TableTop™

Capture Data Quickly and Accurately



Laser Accuracy

Safe and proven laser rangefinder technology captures thousands of data points for precise and repeatable measurements. The sealed unit is highly reliable and requires little maintenance other than cleaning.



Measure Large Boxes

Overhead mounting provides unrestricted package flow and ability to measure large boxes. Fast, non-contact measuring of boxes in any position makes it simple to operate and allows high throughput.



Workflow Flexibility

Sophisticated software allows calibration over a wide range of surfaces, including ball tops and rollers. You can design your material handling process for maximum efficiency, knowing that the CSN810 can be easily installed over any table, scale or static conveyor.



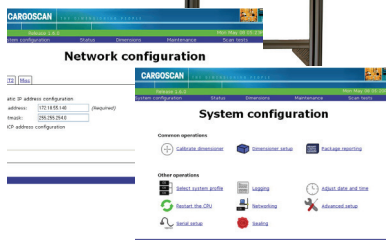
Stand Alone or Fully Integrated

Modular in design, the system can be configured to accommodate your specific operating and data collection requirements. It's easy to integrate dimension, weight and package ID data, and communicate it directly to your host computer system.



Easy to use Web Interface

Graphical interface is user-friendly, and provides easy set-up, calibration and diagnostics. Simple calibration process requires no tools.



Acquire Dimensions, Weight, and ID in Seconds

Good product data is a critical part of warehouse product registration and shipping processes. Without accurate data, warehouse space utilization and shipment planning is inefficient and packages are not rated properly, resulting in shipping back-charges, lost revenue, and customer service hassles.

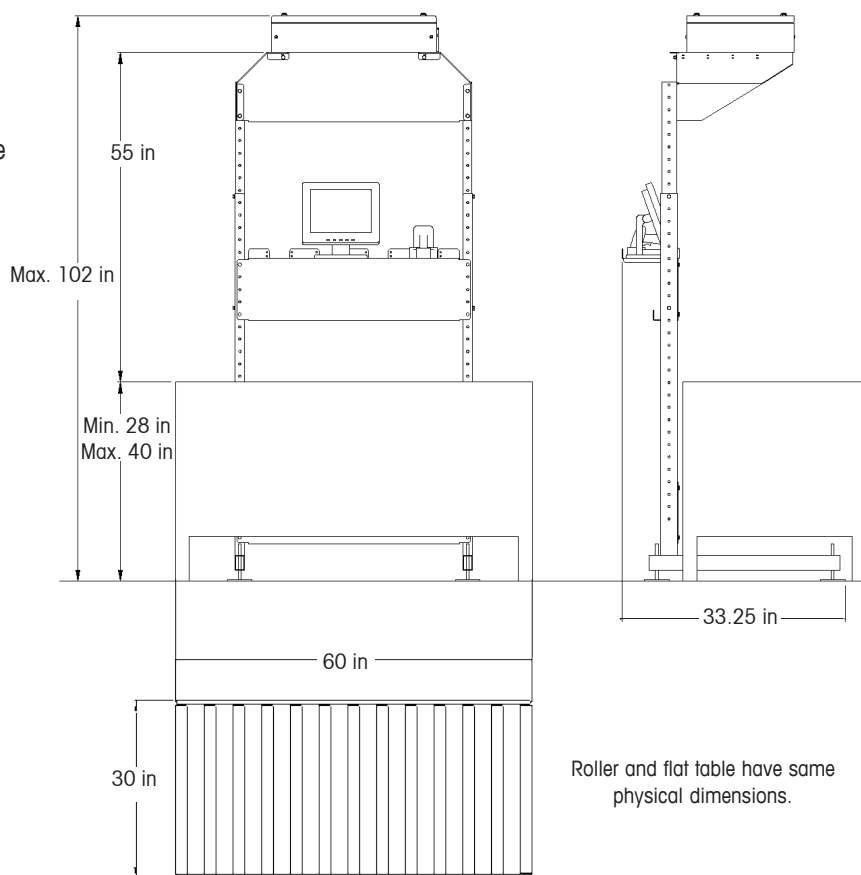
Relying on operators to make manual measurements is slow and error-prone. The CSN810 system automates the process quickly, accurately and reliably. In just seconds, weight, dimension and package ID data is captured and communicated directly to your host computer system. You benefit from:

- Efficient space utilization
- Effective shipment planning
- Faster shipment processing
- Elimination of DIM weight back-charges

CSN810 TableTop™

Typical Configuration

- Completely modular design. Hardware and software components can be purchased separately or as a proven weighing, dimensioning and identification workstation
- CSN810 Dimensioner for reliable dimensions
- Recommended METTLER TOLEDO BC150 Scale
- Compatible with wired or wireless barcode reader; must have RS232 connection
- 15" TFT Monitor at eye level for easy readability of captured data
- Standard USB keyboard for manual data entry
- Height-adjustable, ergonomically-friendly stand designed to meet the toughest conditions
- Flat or roller table
- System interfaces include 1 serial, 2 TCP/IP
- Optional serial converter for USB connection
- NTEP certification CoC #05-121A1P



Dimensioner accuracy	± 0.1 in. ¹⁾
Maximum object size (LxWxH)	45 x 30 x 36 in.
Minimum object size (LxWxH)	1.2 x 1.2 x 1.2 in ¹⁾
Maximum weight	300 lb
Scale resolution	± 0.05 lb (0-150 lb) and ± 0.1 lb (0-300 lb) ²⁾
Barcodes	Dependent on choice of barcode reader
Object throughput	Up to 400 per hour (dependent on operation)
Measurement time	~ 3 sec
Object shape	Rectangular solid objects. Other shapes may vary from quoted specifications.
Object surface characteristics	Most surfaces meet quoted specifications. Variances are sometimes encountered when the surface is highly polished, mirrored, chrome, exceptionally glossy and/or black, covered with shrink/bubble wrap, Styrofoam or polystyrene.
Object orientation	Place most stable surface down. There are no other restrictions.
Operational temperature	14° to 104°F non-condensing
Power	115V 60Hz
Laser type	658 nm visible red laser - Class 2
System Interfaces	1 - Serial, 9 pin female D sub. RS232 2 - TCP/IP 10/100 Mbs Ethernet, RJ45 female 1 - Serial converter for USB connection (optional)

1) Legal for Trade approved.

2) May vary with use of other METTLER TOLEDO compatible scales.



OIML R129/R76 and NTEP certificates
 Compliant to MID and NAWI
 Compliant to health and safety regulations
 Internet: <http://www.mt.com>
 Worldwide service

Subject to technical changes
 © 10/2015 Mettler-Toledo Cargoscan AS
 Printed in Norway 792050
 CSN MarCom Oslo